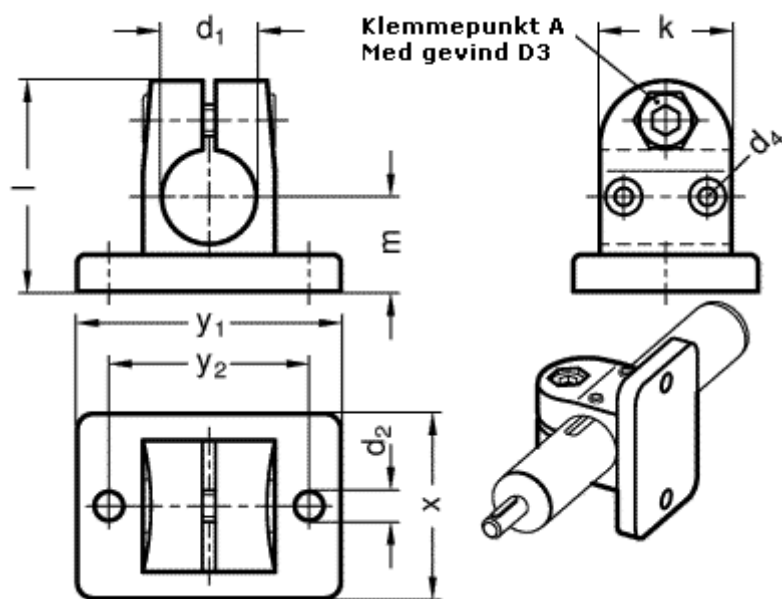


Article number: 201451B182SW

Description: E+G Flanged linear actuator
GN145.1-B18-2-SW

Measures



$d_1 = B18$	$y_1 = 50$
$d_2 = 5.5$	$y_2 = 38$
$d_3 = M 6$	
$d_4 = M 3$	
$k = 25$	
$l = 40$	
$m = 18$	
$x = 35$	